

DYPLAST
products

**INSTALLATION
GUIDELINES:**

**ISO-C1[®] POLYISOCYANURATE
MECHANICAL INSULATION
for
CHILLED WATER SYSTEMS**

DYPLAST PRODUCTS INSTALLATION GUIDELINES

ISO-C1 POLYISOCYANURATE MECHANICAL INSULATION FOR CHILLED WATER APPLICATIONS

DYPLAST PRODUCTS INSTALLATION GUIDELINES	2
ISO-C1 POLYISOCYANURATE MECHANICAL INSULATION FOR CHILLED WATER APPLICATIONS	2
1.0 SCOPE.....	3
1.1 Applicability.....	3
1.2 Dyplast References.....	3
1.3 No Warranty.....	3
2.0 GENERAL.....	3
2.1 Clean Piping	3
2.2 Shipping/Storage	3
2.3 Testing.....	3
2.4 Thickness.....	3
3.0 MATERIALS OF CONSTRUCTION.....	4
3.1 Insulation Materials for Piping, Fittings, and Valves	4
3.2 Fabrication of Insulation	4
3.3 Adhesives, Joint Sealers and Mastics	4
3.4 Vapor retarder.....	5
3.5 Contraction/Expansion Joints	5
3.6 Protective Jacketing Material	5
4.0 APPLICATION	6
4.1 Piping – General.....	6
4.2 Outdoor Piping	8
4.3 Tank, Vessel, and Equipment Insulation	8
5.0 APPENDICES	9
5.1 APPENDIX A: CORROSION RESISTANT METAL COATINGS	9
5.2 APPENDIX B: DETAILS.....	9

1.0 SCOPE

1.1 Applicability

This guideline covers the installation of the Dyplast insulation system chilled water piping, tanks, vessels and equipment. The Dyplast System consists of ISO-C1 Rigid Polyisocyanurate Insulation and zero- or low-perm vapor retarder film/tape, and appropriate jacketing. Due to the variations in service conditions and use, this guideline may not be pertinent for every application, and is not intended to replace the need for a design or specifying engineer to create a specification. A design or specifying engineer should create specifications tailored to particular applications or owner's needs. Such a design or specification engineering service may be more familiar with local conditions, budgets, environment, and desired service life of the system allowing them to generate a precise specification. While supplemental insulation products may be referenced in this guideline, Dyplast recommends consulting the manufacturers of these products for proper fitness-for-duty, installation and handling.

Dyplast also recommends the engagement of a certified mechanical Thermal Insulation Inspector who maintains a current National Insulation Association (NIA) or other certified mechanical association certification. During construction and throughout the project such inspectors may inspect and verify the materials are, and the total insulation system has been, installed correctly in accordance with the specifications.

1.2 Dyplast References

Product data sheets and other Dyplast literature are referenced throughout this guideline. Visit www.Dyplast.com for the latest version of these documents.

1.3 No Warranty

This guideline is offered as a guide for the purpose described herein. No warranty of procedures, either expressed or implied is intended. All other express or implied warranties of merchantability or fitness for a particular purpose are disclaimed.

2.0 GENERAL

2.1 Clean Piping

All piping shall be free of foreign substances and free of surface moisture or frost prior to the application of insulation.

2.2 Shipping/Storage

All insulation material shall be delivered to the project site in original, unbroken factory packaging labeled with product designation and thickness. The shipping package should not be air-tight. Shipment of materials from the manufacturer to the installation location shall be in weather-tight transportation. Insulation materials delivered to the job-site shall be stored so as to protect the materials from moisture and weather during storage and installation. Insulation material shall be protected from sunlight to avoid exposure to UV light from the sun.

2.3 Testing

All testing of piping systems shall be completed prior to the installation of the insulation system.

2.4 Thickness

A qualified specifier/engineer should be consulted to ensure the insulation thickness is sufficient to prevent condensation on the outer surface of the insulation system jacketing, and/or to limit the heat gain to a specific value (often 8 Btu/hr-ft² at outer jacketing surface). A number of assumptions must be made, based on application and environmental conditions such as indoor/outdoor application, humidity, wind, cycling, safety factors, and so forth. We recommend that your specifier/engineer work closely with the contractors and Dyplast to help ensure a properly designed, installed, and long-

lasting insulation system. Thickness calculations may be performed using the [3E Plus](#) insulation thickness software program that uses heat flow algorithms based on ASTM C680.

Additionally, at the client's request, Dyplast's certified staff will run basic calculations using 3E Plus if the client provides and takes responsibility for environmental and process inputs.

In a chill water system it is highly unlikely that thicknesses greater than 2½ inches would be required, yet in such case employ a double layer system. Stagger all longitudinal joints between the inner and outer layers. Install the inner and outer layer longitudinal joints 90° to each other with the inner layer joints in the 12 and 6 o'clock positions and the outer layer joints in the 3 and 9 o'clock positions. All butt joints between the inner and outer layers shall be staggered between 6 and 18 inches. Refer to Figure 1 in Appendix B.

3.0 MATERIALS OF CONSTRUCTION

3.1 Insulation Materials for Piping, Fittings, and Valves

3.1.1 Insulation shall be ISO-C1 2.0, 2.5, 3.0, 4.0, or 6.0 lb/ft³ Rigid Polyisocyanurate Insulation manufactured by Dyplast Products.

3.1.2 Test data is available on all densities of Dyplast ISO-C1, and can be found at www.dyplast.com or by calling 305-921-0100.

3.2 Fabrication of Insulation

3.2.1 Insulation shall be fabricated in required shapes from bun stock in accordance with ASTM C-450 "Standard Practice for Prefabrication and Field Fabrication of Thermal Insulating Fitting Covers for NPS Piping, Vessel Lagging, and Dished Head Segments" and C-585 "Standard Practice for Inner and Outer Diameters of Rigid Thermal Insulation for Nominal Sizes of Pipe and Tubing (NPS System)". Insulation shall be factory fabricated by a qualified fabricator from bun stock.

3.2.2 Dyplast recommends fittings, such as valves, valve stations, flanges, 90° and 45° elbows, and tees shall be two piece fly-cut or routed as the preferred fabrication method. For diameters too large for fly-cutting or routing, the pieces shall be fabricated in two halves with each half made up of mitered sections. Both methods shall be in accordance with ASTM C-450 and ASTM C-585. Refer to applications sections 4.1.6 and 4.1.7 for related additional information.

3.2.3 Store the bun stock at normal shop (indoor) conditions for at least 24 hours before fabrication. This will allow the ISO-C1 bun stock to equilibrate to the shop conditions. For best fabrication quality, it is recommended that ISO-C1 buns be fabricated into pipe shells in conveyor direction (length direction) to maximize flatness. Fabricated pipe shells with factory-applied vapor retarder shall be aged for 24 hours before vapor retarder attachment. Similarly after fabrication of the fittings/elbows/tees, allow the cut pieces to age for 24 hours before factory application of the vapor retarder to the fabricated pieces. After application of vapor retarder, fabricated pipe shells shall not be stored for more than one month either in the warehouse or at a job site.

3.3 Adhesives, Joint Sealers and Mastics

3.3.1 Solvent and water-based joint sealers, mastics, and adhesives may be used in contact with ISO-C1 insulation. Mastics and sealants shall remain flexible across the expected temperature range of the application. Adhesives must be functional at all anticipated temperatures, as well.

3.3.2 Joint sealers for sealing joints of insulation shall be preferably a low or zero-perm vapor retarder type, with superior moisture and water resistance.

3.3.3 A vapor retarder type joint sealer should optimally be applied on insulation longitudinal joints and butt joints on the outer layer to prevent moisture and moisture vapor infiltration, unless the specifier/engineer recommends otherwise. The specifier/engineer may require joint sealers on inner layers, in the unlikely event there is a two-layer system. Typical joint sealers from Foster Products/Childers can be accessed and evaluated at either <http://www.fosterproducts.com/pdf/InsulationSelectionGuide.pdf> (with Foster brand names), or <http://www.fosterproducts.com/pdf/ChildersSelectionGuide.pdf> if you prefer the Childers brand names.

3.3.6 As stated above, solvent or water adhesives may be used to attach the vapor retarder film to the outer surface of the ISO-C1. Refer to the vapor retarder installation guidelines. Consult adhesive manufacturer's literature for instructions on handling adhesives including required operating temperatures. Again refer to the above internet links to evaluate and select the appropriate adhesive.

3.4 Vapor retarder

3.4.1 A low-perm primary vapor retarder should be applied to the outer most foam insulation layer. A combination vapor retarder/jacket, such as an all service jacket (ASJ), is acceptable when authorized by the specifier/engineer.

3.4.2 Dyplast recommends that low-perm or zero-perm vapor retarder film be factory applied by an authorized fabricator to the outer surface of pipe insulation. Refer to ASTM standards C-755 and C-1136 for information on selection and specification of vapor retarders. Refer to product literature and installation guidelines from the vapor retarder manufacturer for recommended application instructions.

3.4.3 Elbows and fittings shall be wrapped with vapor retarder tape with a 50% overlap.

3.4.4 Vapor retarder film and tape shall have a maximum permeance of 0.020 perm-in.

3.4.5 Consult manufacturer's literature and installation guidelines.

3.4.6 For tanks, vessels, and equipment, use similar vapor retarder films or approved equal.

3.5 Contraction/Expansion Joints

3.5.1 The location of contraction/expansion joints should be determined by a qualified design engineer, taking into consideration the expected pipe movements. Consult with the appropriate engineer to determine the proper spacing of the contraction/expansion joints for each system.

3.5.2 Contraction/expansion joints should be filled with a resilient mineral fiber or approve alternate with fibers oriented parallel to the direction of the pipe. The contraction/expansion joint filler should be twice the thickness of the contraction/expansion joint (compressed to _ the thickness). Consult with the appropriate engineer to determine the proper contraction/expansion filler material.

3.6 Protective Jacketing Material

Shall be one of the following:

A) Aluminum Sheet

- Jacketing shall be aluminum alloys 3003, 1100 or 3105, H-14 temper, meeting ASTM B-209. Use white painted aluminum jacketing for all outdoor applications.

Consult jacketing manufacturer for recommended thicknesses.

- Aluminum jacketing for all fittings, tees, elbows, valves, caps, etc. shall be sectional, factory contoured, or field-fabricated to fit closely around insulation.
- Banding for jacketing shall be 0.02" thick by 1/2" wide stainless steel.
- Aluminum protective jacketing shall not be considered a vapor retarder. See section 3.4 for vapor retarder recommendations.
- No fastener capable of penetrating the underlying vapor retarder shall be used to secure the aluminum jacket.

B) Stainless Steel

- The material shall be of a quality meeting the requirements of ASTM A167 Type 304. Use white painted stainless steel jacketing for all outdoor applications. Consult jacketing manufacturer for recommended thicknesses.
- Banding for jacketing shall be 0.02" thick by 1/2" wide stainless steel.
- Stainless steel protective jacketing shall not be considered a vapor retarder. See section 3.4 for vapor retarder recommendations.
- No fastener capable of penetrating the underlying vapor retarder shall be used to secure the stainless steel jacket.

C) All Service Jacket (ASJ)

- ASJ may not be suitable for all applications such as very high humidity environments or where mechanical abuse is likely; a qualified engineer/specifier should be consulted.

D) Approved Suppliers include:

- Standard Metal Industries, LLC (at www.smimetal.com)
- RPR Products, Inc. (at www.rprhouston.com)

4.0 APPLICATION

4.1 Piping – General

4.1.1 Most chill water systems require only one layer of ISO-C1 insulation, yet the specifier/engineer may require more than one layer if severe environmental circumstances require.

4.1.2 If there are multiple layers, stagger all longitudinal joints between the inner and outer layers. Install the inner and outer layer longitudinal joints 90° to each other with the inner layer joints in the 12 and 6 o'clock positions and the outer layer joints in the 3 and 9 o'clock positions. All butt joints between the inner and outer layers shall be staggered between 6 and 18 inches. Refer to Figure 1 in Appendix B.

4.1.3 Install pre-fabricated insulation fittings on elbows, tees, and valves. Insulation shall be the same thickness as pipe sections.

4.1.4 In multi-layer insulation systems, the layers should remain independent of each other to allow movement between the layers. Joint sealant application on inner layers, if any, between butt and longitudinal joints should be applied in accordance with specifications from a qualified design engineer. At a minimum, joint sealant should be applied to the butt and longitudinal seams on the outer layer. Care must be taken to ensure sealant does not spread beyond the seams, thus potentially inhibiting movement between the layers.

4.1.5 Insulation shall be secured to the pipe with 3/4" wide fiber reinforced tape. Tape shall be applied as per Figure 4 in Appendix B.

4.1.6 Insulation shall be secured with fiber reinforced tape on both inner and outer layers of a multi layered systems except as noted in section 4.1.13.

4.1.7 Outer layer insulation and vapor retarder shall be secured with fiber reinforced tape. Use a 25% circumferential overlap on 12” centers when vapor retarder is factory applied to insulation. Fiber tape shall be applied to the exterior of the insulation/vapor retarder system.

4.1.8 Contraction/expansion joints shall be installed as described in section 3.5 and illustrated in Figure 5 in Appendix B or approved alternate design. The appropriate designer or engineer must specify the spacing of contraction/expansion joints separately for each system.

4.1.9 All insulation shall be tightly butted and free of voids and gaps at all joints. Vapor retarder must be continuous. All fasteners and bands shall be neatly aligned and overall work must be of high quality appearance and workmanship.

4.1.10 Vapor stops should be used on either side of valves frequently removed for servicing, valve stations left exposed, or odd fittings, elbows, tees, etc. where the chance of moisture infiltration is high - - unless otherwise specified by the owner’s engineer. Install per detail in Figure 6 in Appendix B or an approved alternate design.

4.1.11 Vapor retarder film should be cut to length longitudinally and wrapped around the circumference of the pipe with lap joint and installed facing downward avoiding the placement of the joint at the top or bottom of the pipe. Lap joint to be sealed using liquid adhesive. Butt joints shall be covered with vapor retarder tape. Spiral wrap configuration can be used in lieu of the above installation. Spiral wrapping will require adhesive placed on one edge of the vapor retarder as it is wrapped over the previous layer.

4.1.12 Elbows and fittings shall be wrapped with vapor retarder tape or covered with a mastic type vapor retarder product. Vapor retarder tape is to be wrapped in a spiral configuration. If using mastic type vapor retarder at fittings and elbows, form mastic so that fitting covers can be applied true and tight.

4.1.13 On factory applied vapor retarder film, lap joint to be sealed with SSL tape. All vapor retarder surfaces should be cleaned and free of dust, grease, oil, etc before application of the SSL tape to ensure good adhesion between the tape and vapor retarder. Refer to Figure 7 in Appendix. For other types of factory applied vapor retarders, consult manufacturer’s recommendations on installation.

4.1.14 Unless an ASJ combination vapor retarder/jacket is specified by the engineer, before jacketing can be installed on a portion of the piping, the vapor retarder system on that portion must be complete and continuous.

4.2 Outdoor Piping

- 4.2.1** This section covers outdoor areas including, but not limited to, process areas, rooftops and rooftop equipment.
- 4.2.2** ISO-C1 insulation shall be protected from prolonged exposure to UV light and weather upon installation.
- 4.2.3** Outdoors, insulation materials shall be covered with a jacketing material within two weeks of installation to eliminate long-term exposure to UV light.
- 4.2.4** Refer to section 3.6 for material specification on outdoor jacketing.
- 4.2.5** Outdoor jacketing overlap shall be a minimum of 2" at butt joints and a minimum of 2" at longitudinal joints. Jacketing shall be caulked before closing and banding and positioned in an orientation to avoid water infiltration.
- 4.2.6** Straight sections of jacketing shall be neatly secured with bands and seals with a maximum spacing of 9" on center. End joints shall be secured with bands and seals centered directly over joint. Do not use screws, staples or other fasteners on lines containing a vapor retarder system.

4.3 Tank, Vessel, and Equipment Insulation

- 4.3.1** All insulation materials shall be the same as those used on the pipe associated with the tank, vessel, or equipment.
- 4.3.2** Tank and vessel head segments shall be curved cut to fit in single piece or segments per ASTM C-450. Head segments shall be cut so as to eliminate voids at the head section and in a minimum number of pieces so as to eliminate through joints.
- 4.3.3** Curved segments shall be fabricated to fit the contour of the surface in equal size pieces to go around the vessel with a minimum number of through joints. Cutting in the field shall be minimized. All sections shall be tightly butted and free of voids and gaps.
- 4.3.4** Vertical vessels greater than 4 feet in diameter require an insulation support ring welded or bolted around the bottom of the tank to prevent the shell insulation from sliding down.
- 4.3.5** Seal all outer layer and single layer butt joints with joint sealer. Refer to section 3.3.
- 4.3.6** In multi-layer applications, the horizontal and vertical joints of the inner and outer layer curved segments shall be staggered (see Figure 8 in Appendix B).
- 4.3.7** The top of the outer layer of wall insulation in a multi layer system shall be held below the inner layer top a minimum of the insulation thickness. The tank head insulation layers shall be cut so as to meet the staggered joint.
- 4.3.8** Secure the shell insulation with stainless steel bands on 12 inch centers.
- 4.3.9** The vapor retarder on curved head sections shall be mastic/fab/mastic or approved alternate. Flat head sections can be covered with vapor retarder film. Lap joints shall be covered with vapor retarder tape.

4.3.10 Legs and appendages attached directly to the shell shall be insulated out from the vessel head or wall four times the insulation thickness and the insulation termination sealed with a vapor stop.

4.3.11 On outdoor equipment use aluminum jacketing per section 3.5. Rivets and screws shall not be used to attach jacketing on systems using a vapor retarder.

5.0 APPENDICES

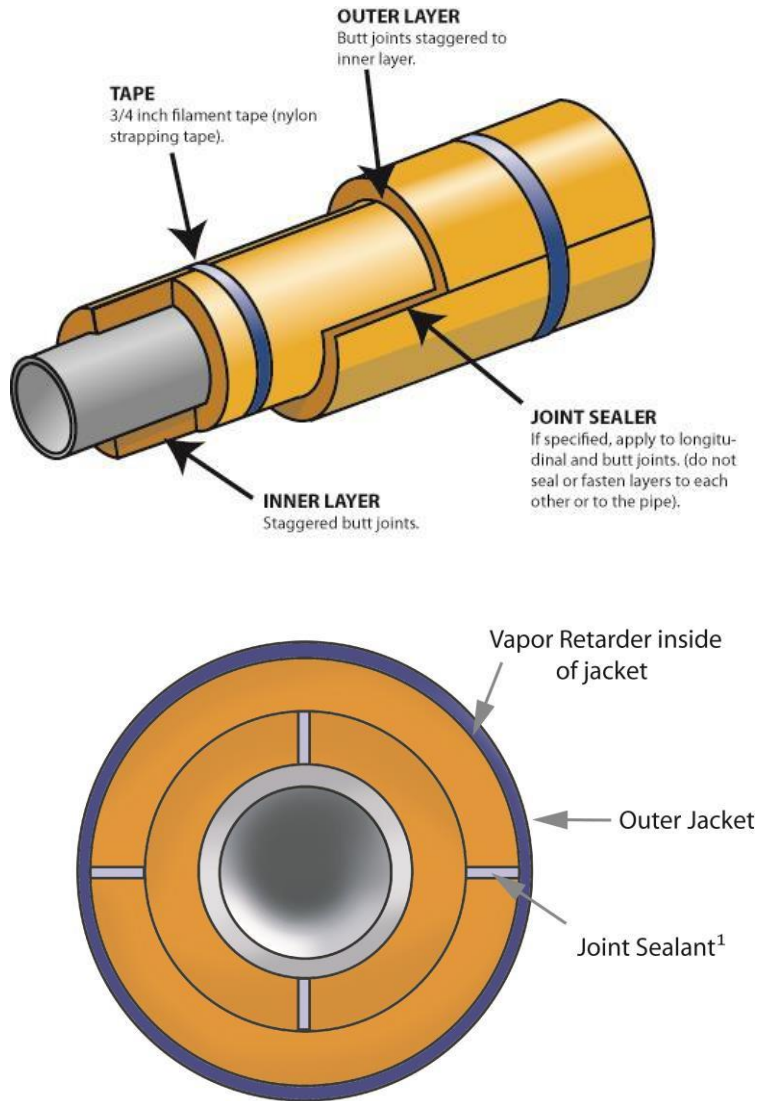
5.1 APPENDIX A: CORROSION RESISTANT METAL COATINGS

5.1.1 GENERAL NOTE: Corrosion of metal pipe, vessels, and equipment under insulation, while not typically caused by the insulation, is still a significant issue that must be considered during the design of any mechanical insulation system. The propensity for corrosion is dependent on many factors including the ambient environment and the operating temperature of the metal. We recommend that the owner consult a qualified engineer and have them work closely with the fabricator, the contractor, and Dyplast to help insure a properly designed, installed, and long-lasting insulation system free of corrosion.

5.2 APPENDIX B: DETAILS

The following details are referenced in the text of this guideline by their Figure numbers. The diagrams included in this section are representative of details used within the industry. However, they are not intended to display the only accepted method of installation but to serve as an example of commonly used and acceptable practices.

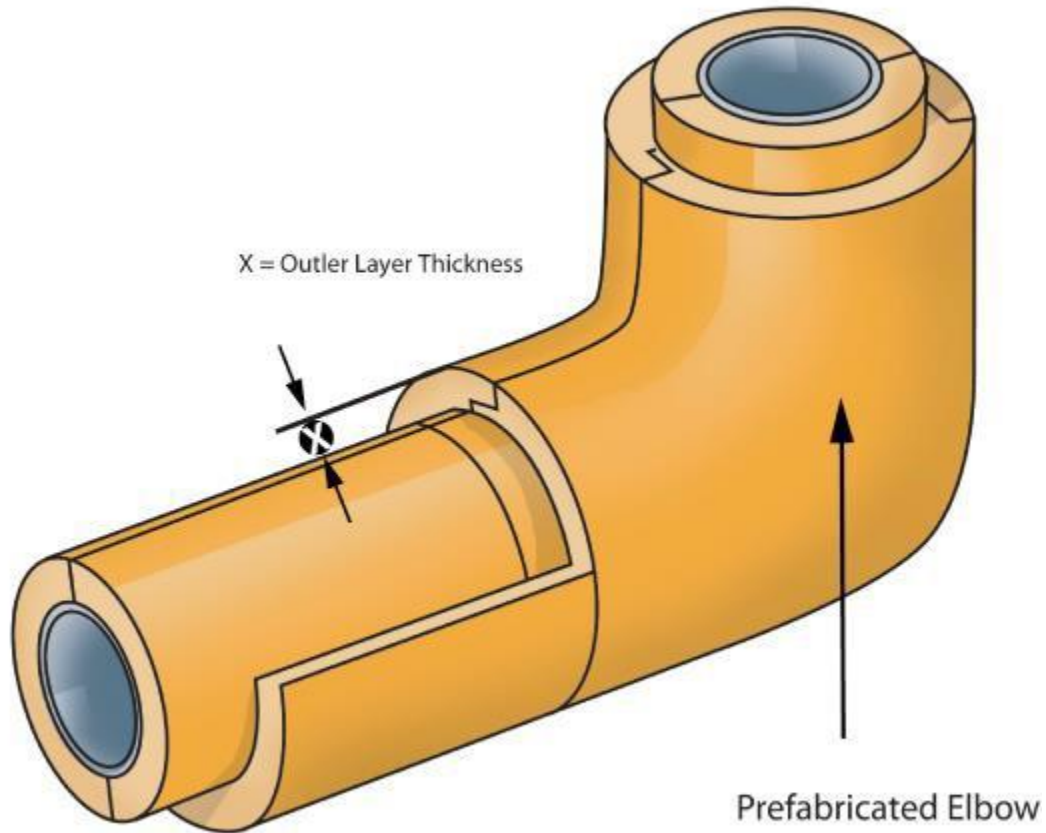
Figure 1: DOUBLE LAYERED INSULATION SYSTEM



Notes:

1. The diagram is an example. Joint sealant should be used in accordance with the recommendations of a qualified design engineer.
2. Inner Layer longitudinal joints at 12 and 6 O'clock. Outer layer joints at 3 and 9 O'clock.
3. Stagger half round segments on each layer and between the two layers as shown above.

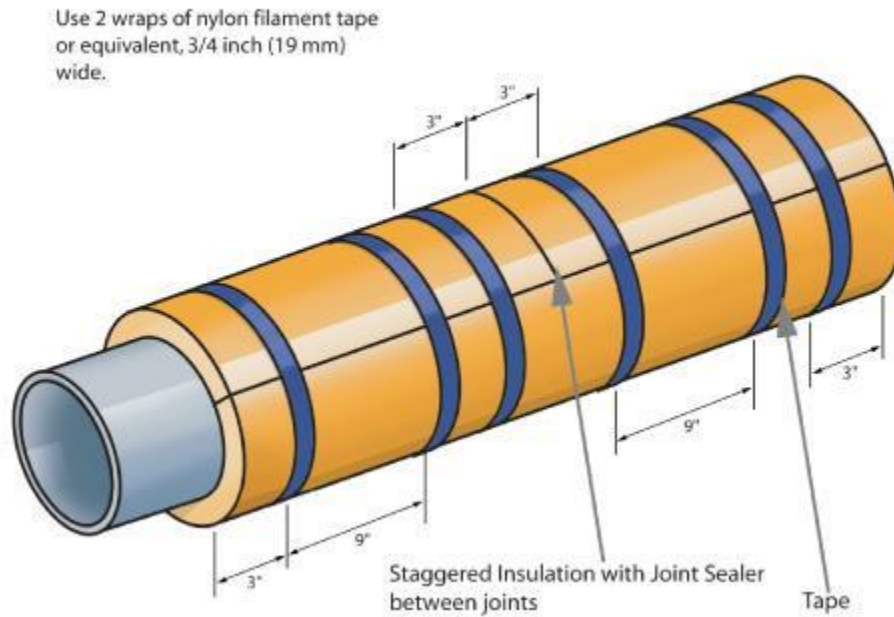
Figure 2: FULL THICKNESS SHIPLAP ELBOW FITTING



Notes:

- Shiplap end cut to thickness “X” to accommodate double layer pipe insulation.
- Use in lieu of double layered fittings.
- Wrap elbow with vapor retarder tape.

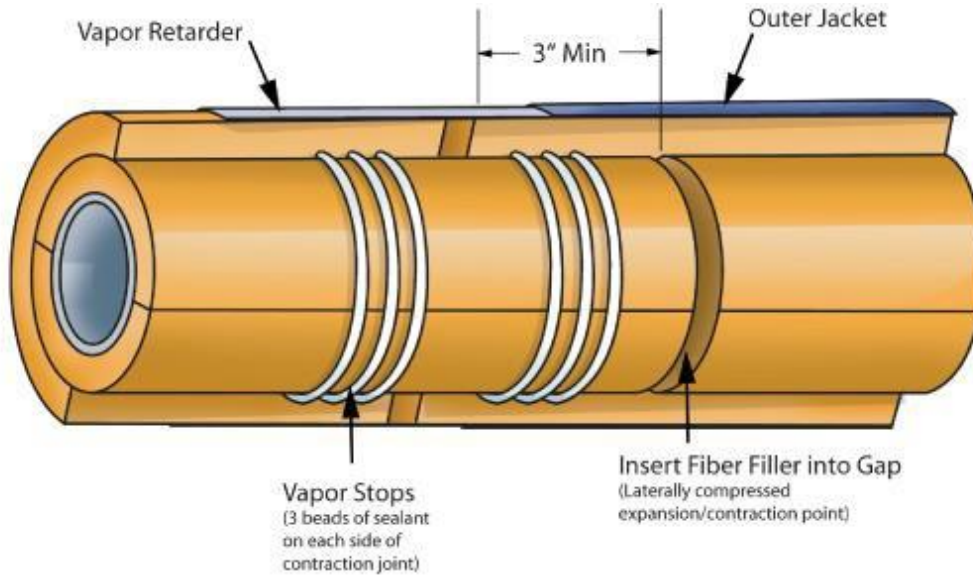
Figure 3: TAPING PATTERN



Notes:

- Use two wraps of tape to insure adequate bond.
- Use nylon or glass filament type tape 3/4" wide.

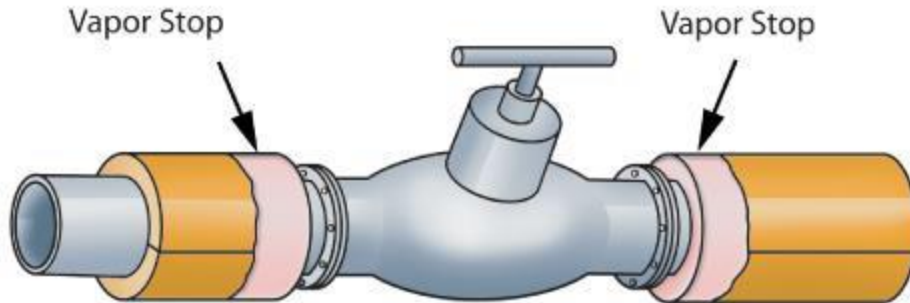
Figure 4: DOUBLE LAYER EXPANSION/CONTRACTION JOINT DETAIL



Notes:

- Allow sealant beads to cure prior to installation of outer layer.
- Position outer layer packed glass fiber between sealant dams on inner layer as shown above.
- After glass fiber in contraction joint is installed, insulation sections on either side of contraction joint shall be forced together as tightly as possible.

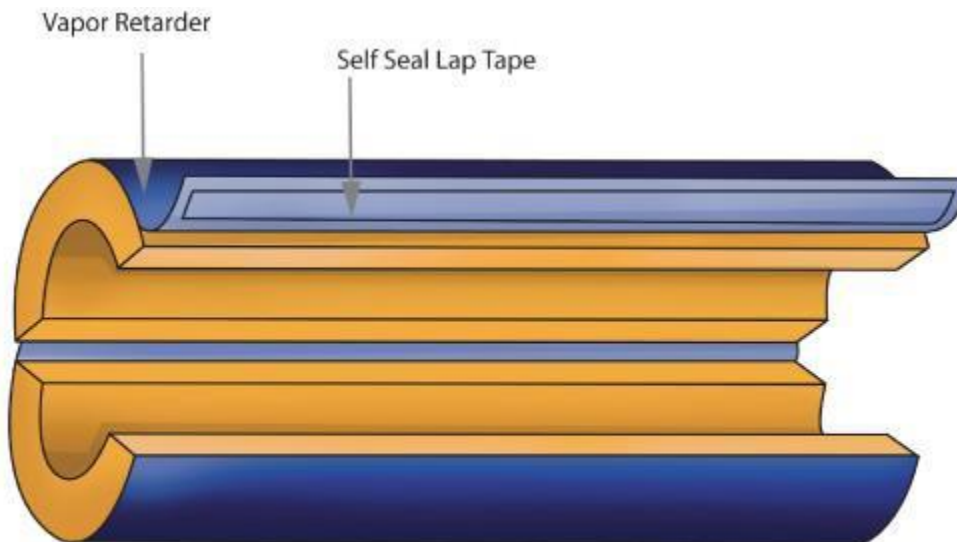
Figure 5: VAPOR STOP DETAILS



Notes:

- Mastic should be selected based on the service temperature of the system.
- Mastic shall be sealed to the pipe face and lapped back over the top of the vapor retarder if fitting is left exposed.

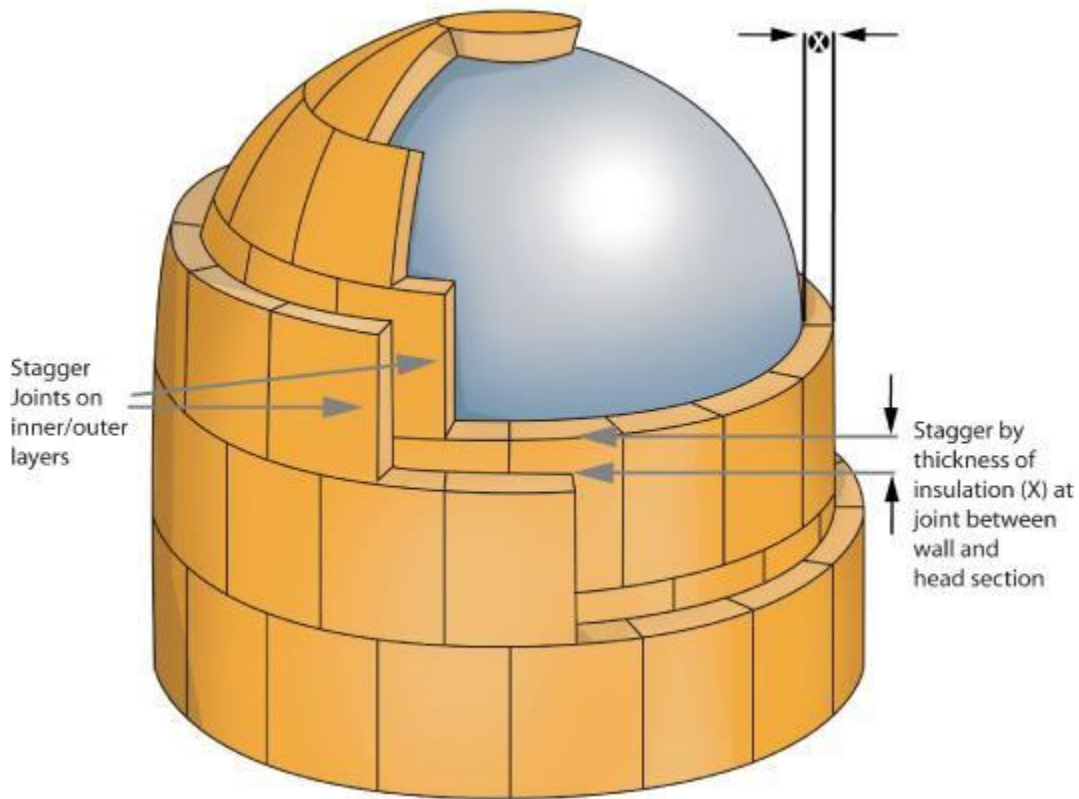
Figure 6: DETAIL OF FACTORY APPLIED VAPOR RETARDER



Notes:

- Vapor retarder can be installed using SSL tape as shown above or using liquid adhesives.
- Butt joints to be covered a minimum of 1.5” on each side of joint by vapor retarder tape or butt strip.

Figure 7: TANK HEAD INSULATION DETAIL



Notes:

- In multiple layer systems, each layer shall be installed so that the horizontal and vertical joints in that layer are staggered from the corresponding joints in the preceding layer by half the height or width of a full section.
- At joint between wall and head section, the outer layer shall be staggered below the inner layer by the thickness of a single layer.
- Where mastics or sealants are required to bond the insulation sections to the tank head consult the manufacturer's recommendations on service and application temperatures.